

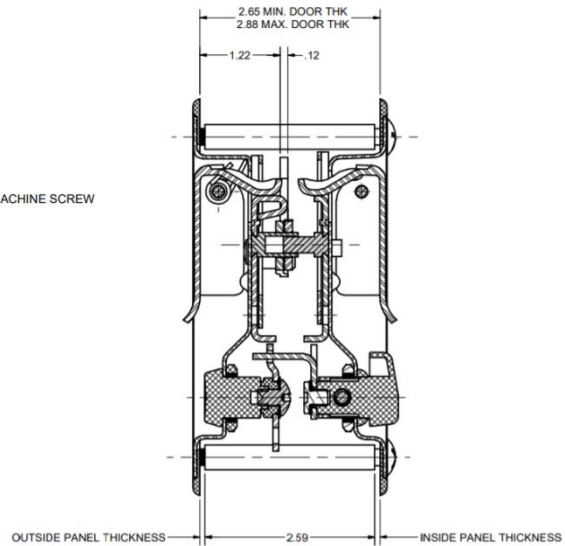
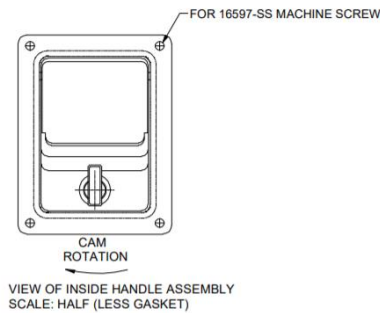
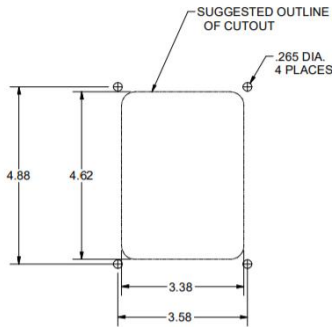
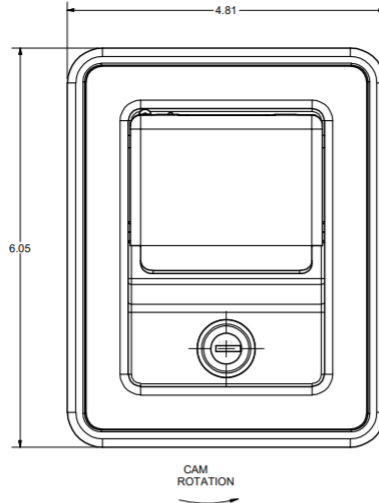
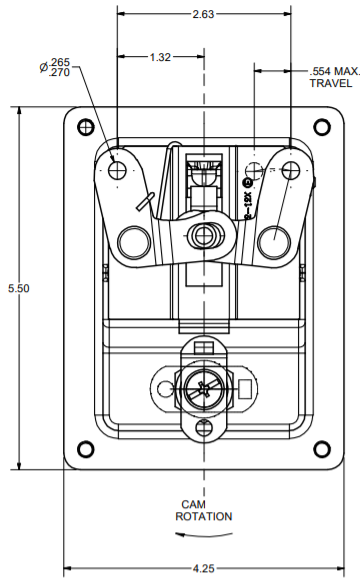
5974 Back-to-Back Paddle Latch System

Features

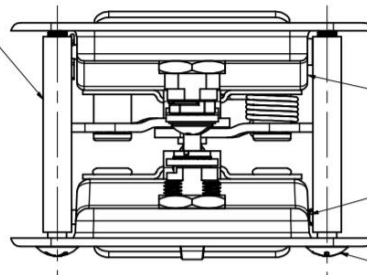
- Back to back paddle latch kit with double-bitted key cylinder, polished stainless steel handles
- Black knob for inside handle

Material

- Stainless steel, bright finish



5974-24-23 STAND-OFF WITH 1/4 - 20 TAP, 4 REQ'D SHIPPED LOOSE



9-5974DB-SS50 OUTSIDE HANDLE ASSEMBLY SHIPPED LOOSE

8-5974-SS51 INSIDE HANDLE ASSEMBLY SHIPPED LOOSE

16597-SS MACHINE SCREW (4 REQ'D) SHIPPED LOOSE

Part No.

9-5974DB-SSPK

Dimensions in inches